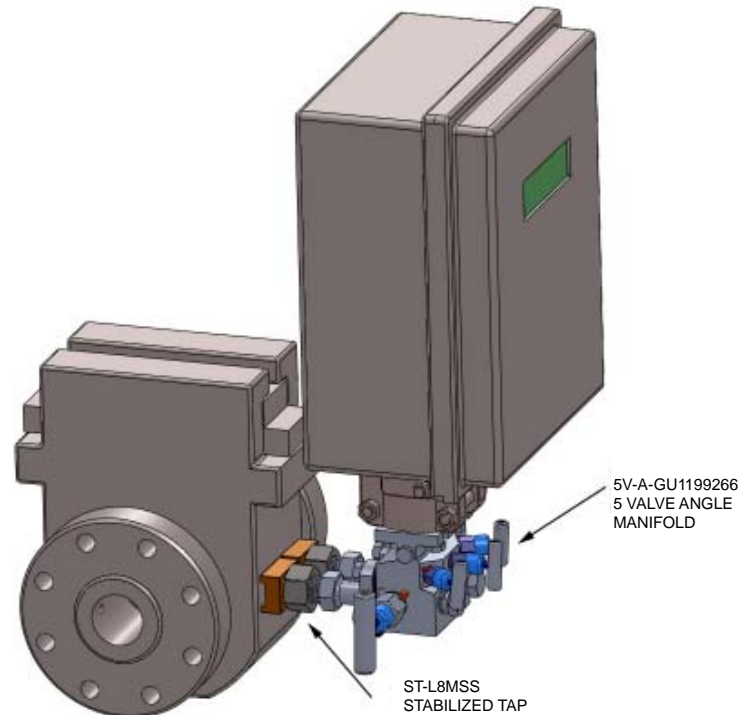


# JAGUAR INSTRUMENTS GAS MEASUREMENT PRODUCTS

NEW

PRODUCT

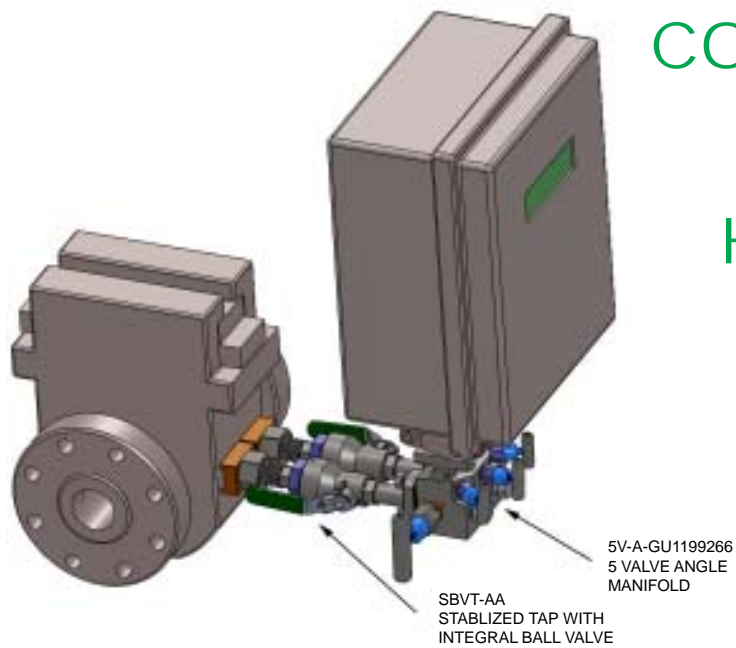


LOW

COST

HORIZONTAL

MOUNTS



# BASIC FEATURES FOR GAS MEASUREMENT MANIFOLDS

## CHARACTERISTICS

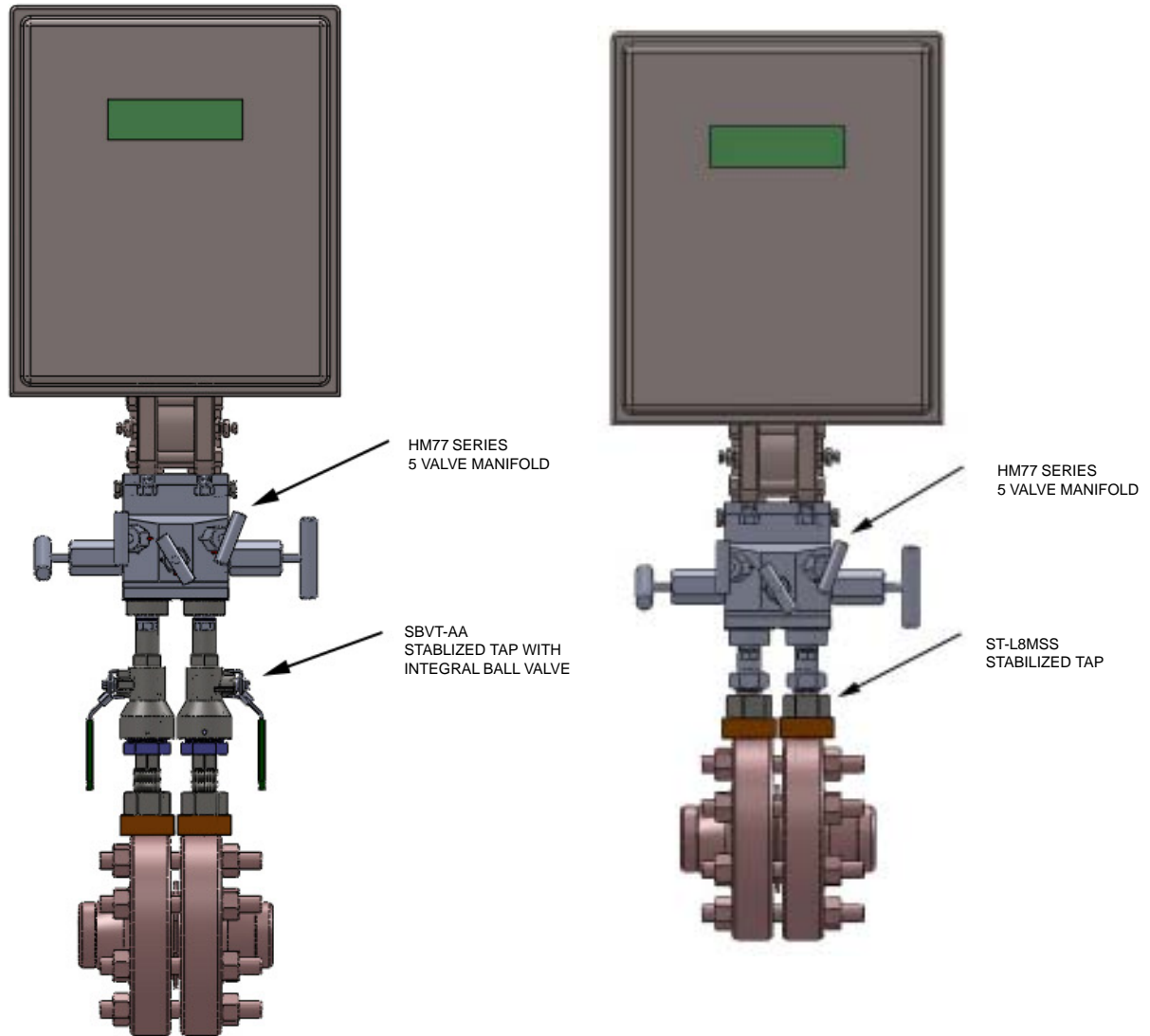
### GAS MEASUREMENT MANIFOLDS SHOULD SHARE THE FOLLOWING CHARACTERISTICS:

- 3/8" minimum bore diameter to help ameliorate spiking signals caused by pulsations in the pipeline.
- Very tight reliable seats & seals to prevent errant measurements cause by small leaks. These seats & seals should be able to stand up to repeated use caused by the calibration verification process.
- Integrated blocking valves to minimize the potential leaks between the tap valves and the equalization valves. These valves can also serve as double equalizing valves to help insure against measurement error.
- Angle pattern equalizer & vent valves to make calibration more convenient especially with gloves.

## FEATURES

- 3/8" thru bores
- Carbon filled Teflon® seats; Delrin® seats for high pressure
- Viton O-ring seals on the bonnets for zero leakage yet low torque
- Angle pattern equalizer & vent valves
- (4) configurations: Pipe x Pipe, Pipe x Flange, Flange x Flange, 90° Flange x Flange

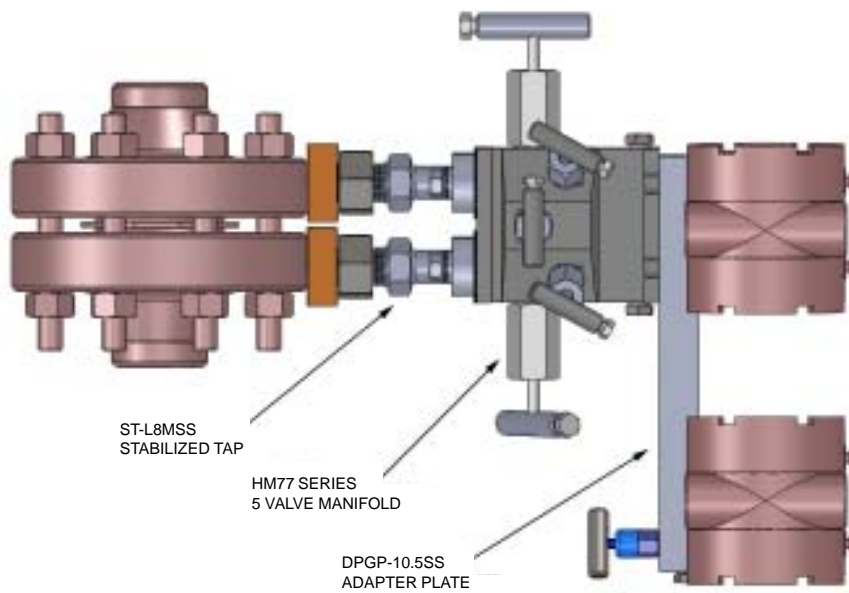
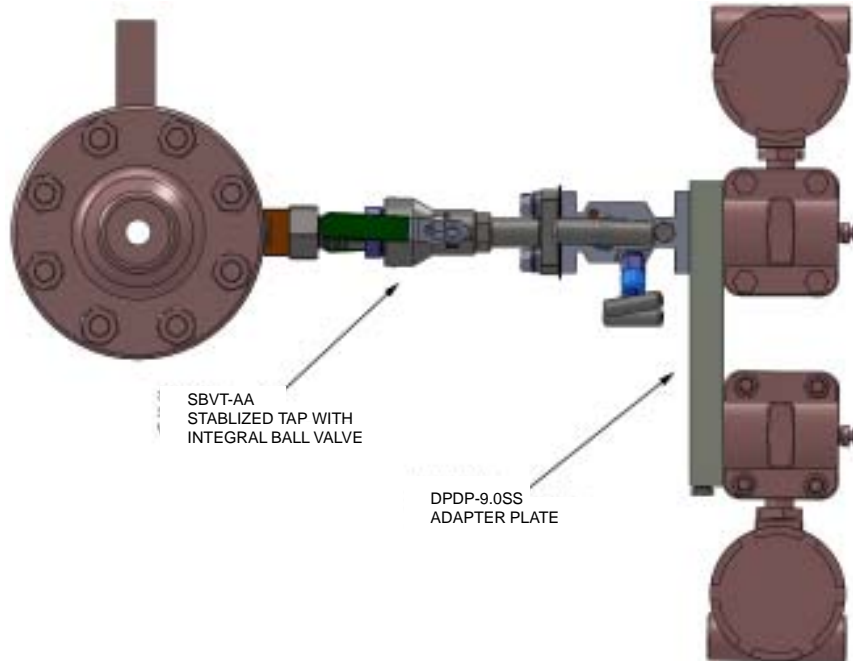
# GENERAL ARRANGEMENTS



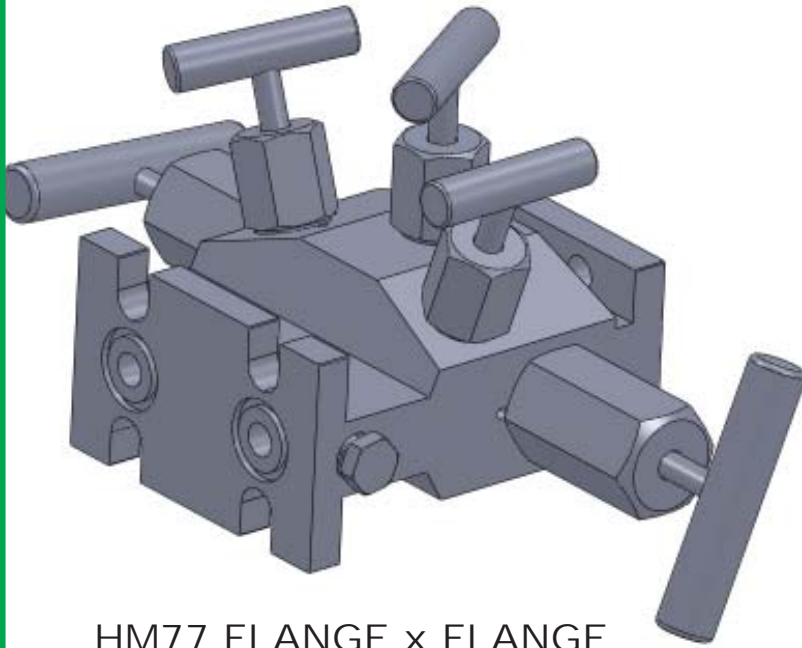
VERTICAL MOUNT  
WITH STABILIZED TAP  
WITH INTEGRAL BALL  
VALVES

VERTICAL MOUNT  
WITH STABILIZED  
TAPS

# GENERAL ARRANGEMENTS

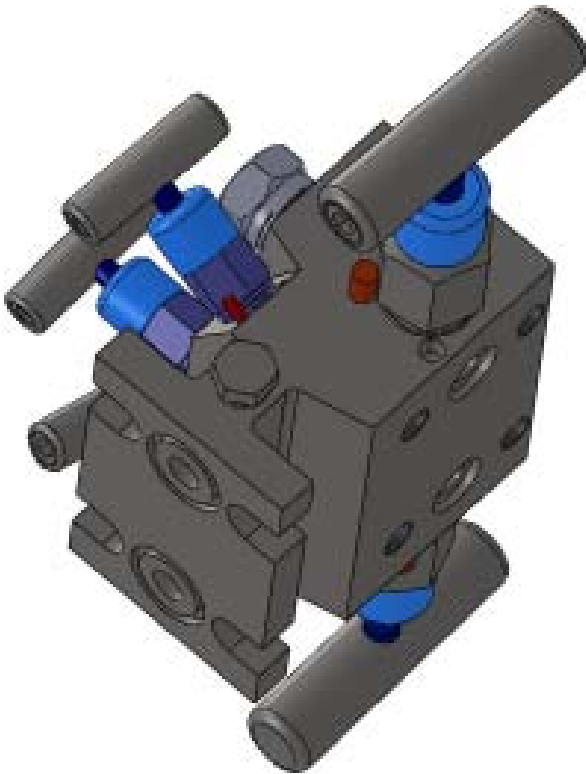


# GAS MEASUREMENT MANIFOLDS



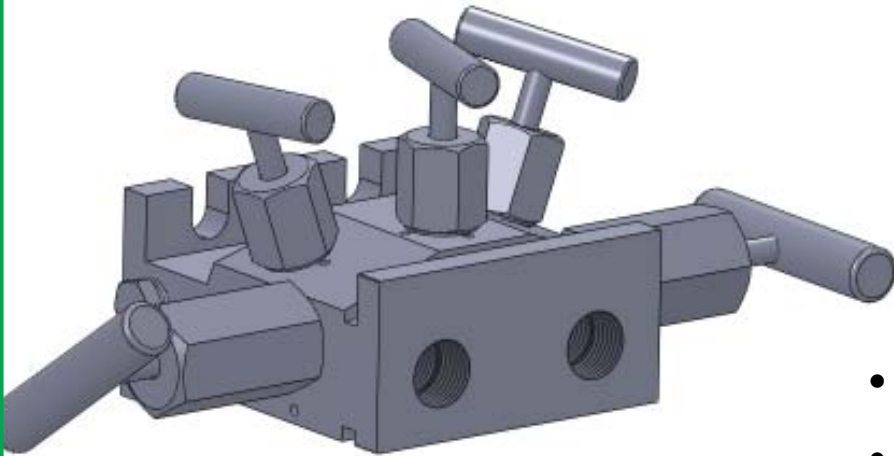
HM77 FLANGE x FLANGE

- 3/8" BORE
- ANGLED VENT & EQUALIZER VALVES
- SPECIAL O-RING BONNETS
- CARBON FILLED TEFLON® SEATS
- DELRIN® SEATS FOR HIGH PRESSURE

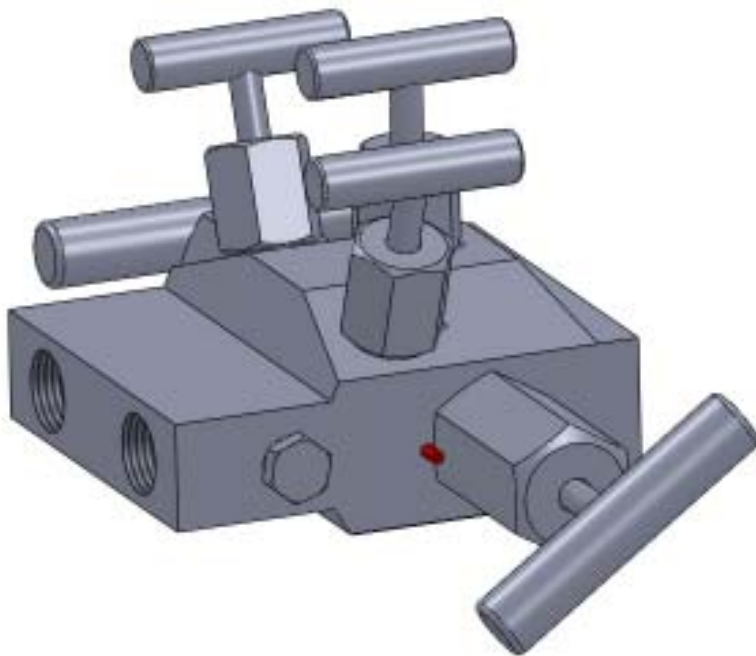


5 VALVE 90° ANGLE PATTERN

# GAS MEASUREMENT MANIFOLDS



HM77 FLANGE x PIPE



HM77 PIPE x PIPE

- 3/8" BORE
- ANGLED VENT & EQUALIZER VALVES
- SPECIAL O-RING BONNETS
- CARBON FILLED TEFLON® SEATS
- DELRIN® SEATS FOR HIGH PRESSURE

# ADAPTER PLATES



DPGP-10.5SS

## Specifications:

Material:

Body: ASTM A479; 316 SS

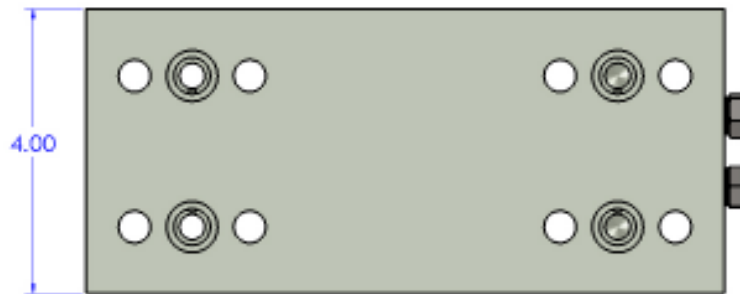
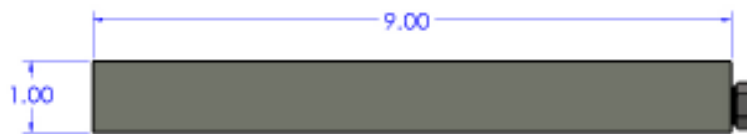
Hardware: 316 SS

Gaskets: Virgin Teflon

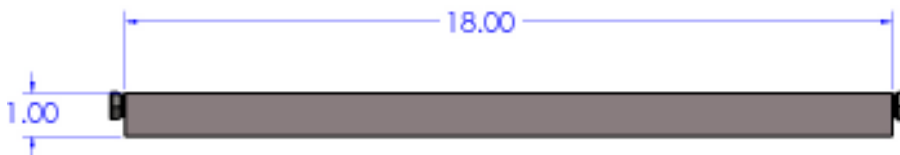
Valve Stem: Carbon filled  
Teflon

Valve Packing: Teflon

Oring: Viton



DPDP-9.0SS



DPGP-18.0SS

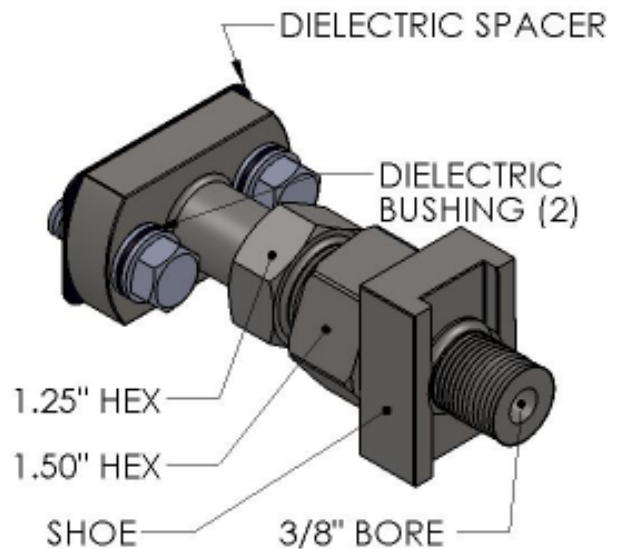
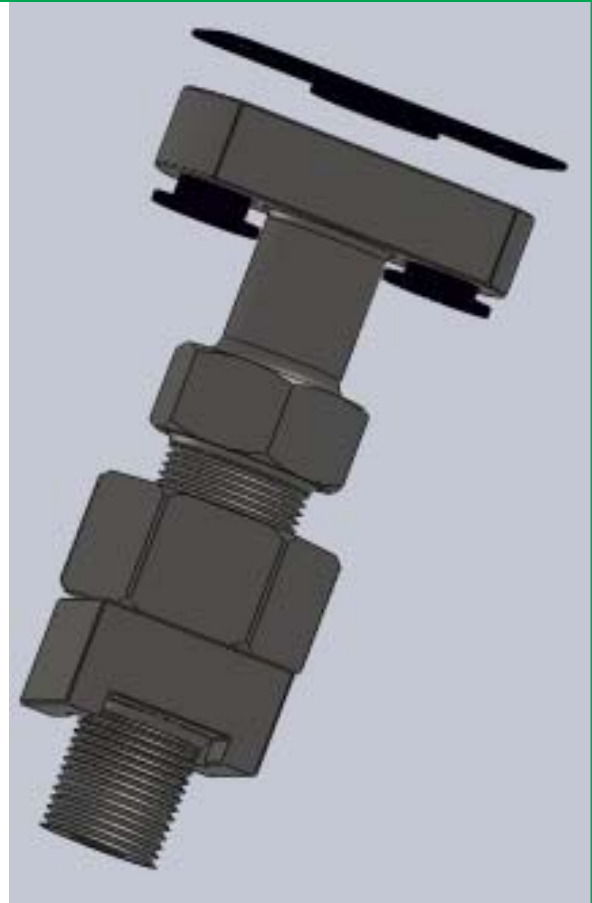
# STABILIZED TAPS

Stabilized taps provide a means of transferring the radial load away from NPT type threads. This results in a much stronger joint between the pipe thread and the orifice fitting. It also eliminates the tendency for a leak to occur at this point.

These taps come with all the parts necessary to fit both orifice fittings and orifice unions. The shoe is employed to create a larger flat footprint for the stabilizer nut when used on the curved surface of orifice flange unions.

A dielectric kit composed of a spacer and bolt bushings is included to provide a non-conductive barrier between a flow computer and the meter run.

Other configurations and materials are available on request.

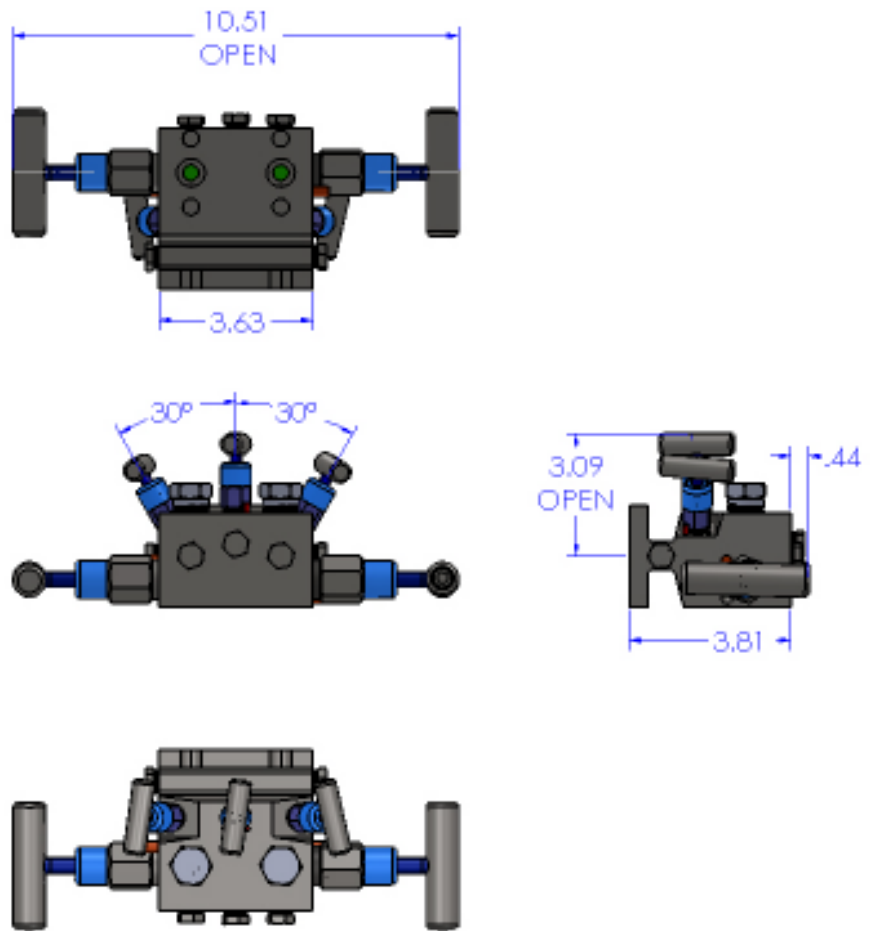


PART NUMBER	METAL COMPONENTS MATERIAL	DIELECTRIC MATERIAL
ST-L8MSS	ASTM A182 – 316SS	DELTRIN

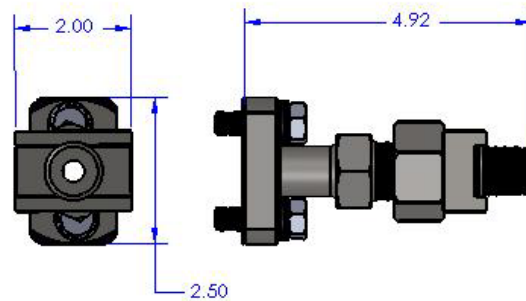


# DIMENSIONS

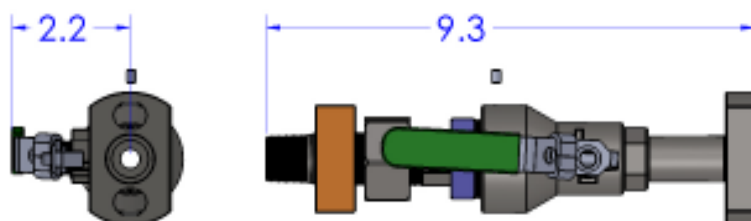
5 VALVE 90°  
ANGLE PATTERN



ST-L8MSS  
STABILIZED  
TAPS

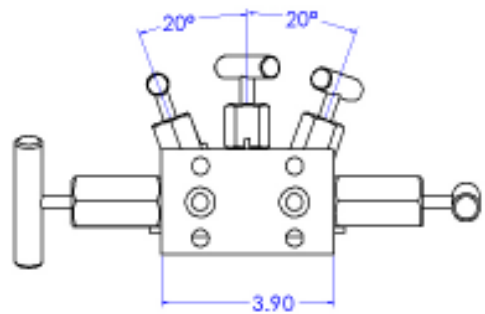
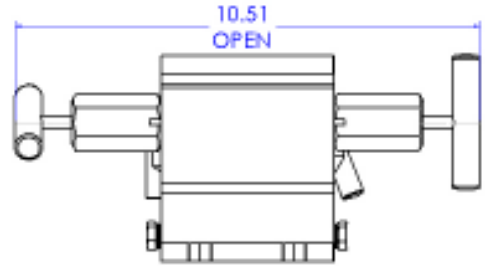
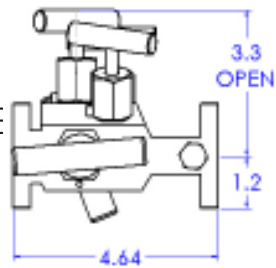


SBVT-AA  
STABILIZED TAPS  
WITH INTEGRAL  
BALL VALVE

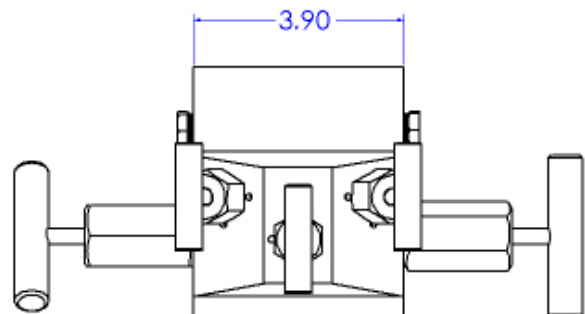
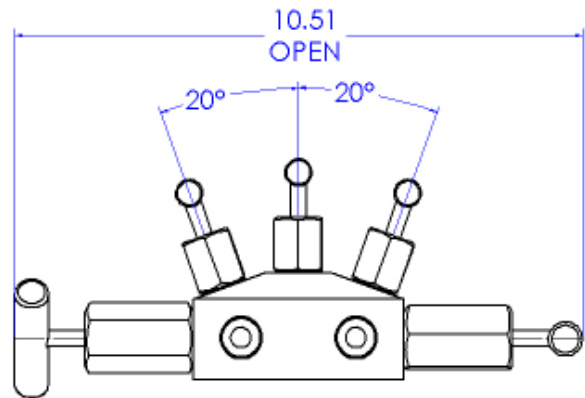
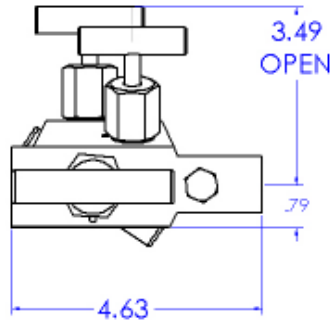


# DIMENSIONS

HM77 SERIES  
FLANGE x FLANGE  
&  
FLANGE x PIPE



HM77 SERIES  
PIPE x PIPE



# MANIFOLD ORDERING TREE

HM77	D	U	1	1	9	9	2	6	5
------	---	---	---	---	---	---	---	---	---

Model Number	
HM77	Straight pattern
5V-A	90° Angle

Outlet Size	
3	FNPT
9	DP Transmitter Flange

Seat-Packing Configuration	
G	Soft Seat
D	Soft Seat with O-ring Pack

Outlet Type	
1	FNPT
9	Flanged

Body Material	
S	Carbon Steel
U	Stainless Steel

Stem - Tip	
2	316l – 316L

Inlet Size	
1	DP Transmitter Flange
3	½" NPT

Seat Material	
6	Teflon
7	Delrin

Inlet Type	
1	Flanged
3	FNPT

Packing	
2	Teflon Packing
5	Buna-N O-ring
6	Teflon Guide; Viton O-ring

Jaguar Instruments, Inc  
 PO Box 263660  
 Houston, TX 77207  
 Ph: 713-645-2100  
 Fax: 713-6452102



5939 Nunn St.  
 Houston, TX 77087  
[www.jag-i.com](http://www.jag-i.com)  
[sales@jag-i.com](mailto:sales@jag-i.com)